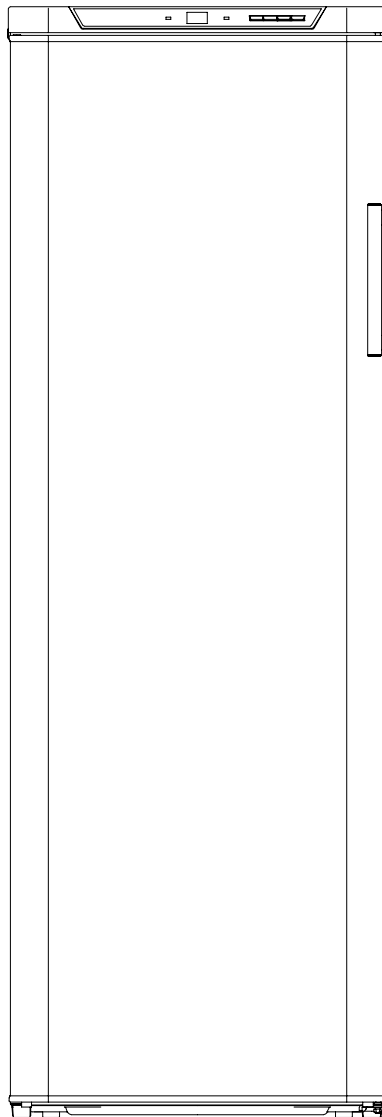


Hisense

UPRIGHT FREEZER USER MANUAL

MODEL: HVFF270A






IMPORTANT: before you install your refrigerator PLEASE CHECK FOR ANY DAMAGE OR MARKS. If you find that the refrigerator is damaged or marked you must report this within 7 days if you wish to claim for the damaged marks under the manufactures warranty.

This does not affect your statutory rights.

Operating Instructions

Dear customer,

To enable you to use your new **FROST FREE FREEZER** effectively and safely, please read this instruction book carefully before you use the appliance, which contains important information for installation, safe use and maintenance of this appliance. Please keep the book for future reference. The following symbols will be found in the book to guide you through the instructions:

Guide to use the instruction book			
	Warnings		Operating instructions
	Tips and notes		

INDEX

	Page No.
Important Safety Instructions	4
Installation Instructions	5
Description of the Appliance	6
Using Your Appliance	7
Thermostat Control	7
Door Reverse Instructions	8
Hints and Tips	11
Trouble Shooting	12
Correct Positioning	13

Important Safety Instructions

Intended use

The appliance is designed for domestic use only. If the appliance is used for other purposes such as commercial applications or used incorrectly, the manufacturer accepts no liability for any damage that may occur.

Prior to initial start-up

Check the appliance for transport damage. Under no circumstances should a damaged appliance be plugged in. In the event of serious damage, contact your supplier.

Refrigerant

This is contained within the refrigerant circuit of the appliance. Ensure that none of the components of the refrigerant circuit becomes damaged during transportation and installation.

If the refrigerant circuit should be damaged:

- Avoid opening near flames and sources of ignition.
- Thoroughly ventilate the room in which the appliance is situated.



Other warnings include:

- WARNING — Ensure freezer is located in well ventilated area.
- WARNING — Do not use hair dryer or other means to accelerate the defrosting process.
- WARNING — Do not damage the refrigerant circuit.
- WARNING — Do not use electrical appliances inside the food storage compartments.
- WARNING — The appliance is not intended for use by young children without supervision.
- WARNING — When disposing of the appliance do so only at an authorized waste disposal centre. Do not expose to flame.
- WARNING — If the supply cord is damaged, it must be replaced by the manufacturer or their service agent or a similarly qualified person.

Safety of children

Keep packaging materials away from children to avoid the risk of suffocation.

Disposal

When you dispose of freezers, please remove any doors. Children can suffocate if they get trapped inside. Avoid safety hazards by carefully disposing of this appliance.

Daily operation

Do not store any container with flammable materials such as spray cans in the appliance.

Do not operate any electrical appliance in the refrigerator.

Before cleaning the appliance, always switch off the appliance and unplug it.

In case of malfunction

If a malfunction occurs, please look first in the “Trouble Shooting” section for help, before contacting your supplier. Under no circumstances should you attempt to repair the appliance yourself, as repairs carried out by inexperienced persons may cause injuries or serious malfunctions.

Installation Instructions

Installation Requirements

The appliance should be placed in a dry and well-ventilated room. As the performance and energy consumption of the refrigerator can be affected by the ambient temperature, the following instructions should be ensured:

- Do not expose the appliance to direct sunlight,
- Do not install the appliance close to radiators, cookers or other sources of heat,

Your appliance will be heavy when loaded with foods and must therefore be placed on a strong firm floor and ensure the power socket is accessible.

Ventilation Requirements

Ensure that the air can circulate freely around the cabinet. There should be 100mm between the top of the appliance, and a gap of 25mm on either side of the appliance.

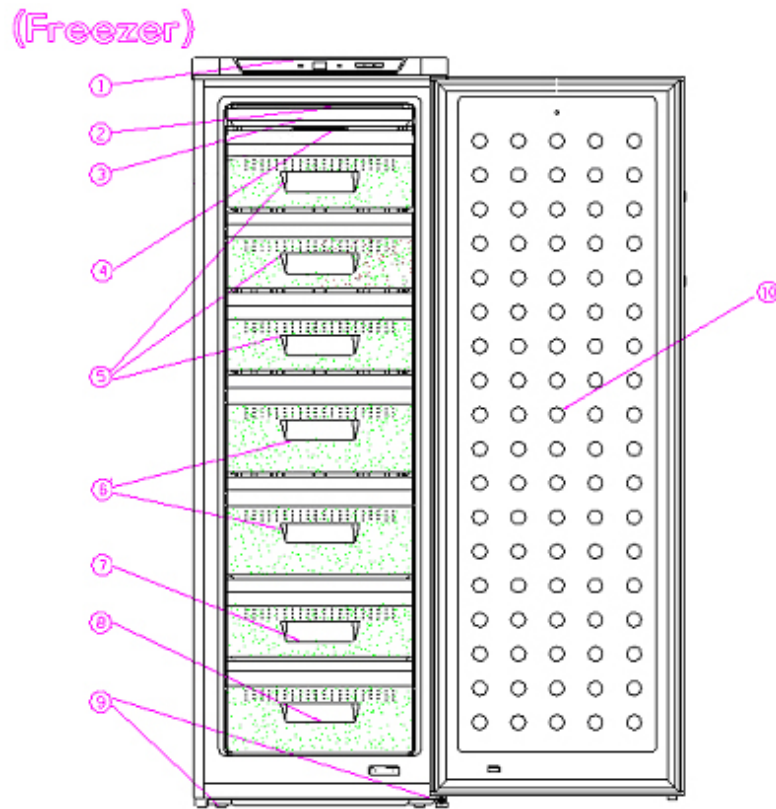
Ensure that the appliance does not stand on the electrical supply cable. Whenever possible the back of the appliance should be close to a wall but remember to leave the suitable distance required for ventilation.

Leveling

The appliance should be level in order to eliminate rocking. To make the appliance level, it should be upright and both adjusters should be firmly contacted with the floor. You can also adjust the level by screwing out the appropriate level adjuster at the front (use your fingers or a suitable spanner), but much care should be taken when moving this appliance as it may be heavy.

Description of the Appliance

View of the appliance



1. Control panel 2. Ice tray (inside) 3. Upper drawer 4. Air outlet
5. Drawers 6. Drawers 7. Drawer 8. Drawer 9. Castors 10. Door

Note:

Due to the updated modifications of our products, your freezer may differ slightly from this Instruction Manual, but the functions and using methods remain the same.

Freezer chamber

For freezing and storing frozen foods, etc.

Ice tray

For making ice, pour cool boiled water into the ice tray up to 4/5 of its volume, and place it in freezer compartment for 2 hours. When taking out ice tubes, twist the ice tray slightly, and the ice cubes are separated from the ice tray. Do not bend it, as it will crack.

Freezer Drawers

For freezing and storing frozen food.

Using Your Appliance

This appliance is designed for domestic use only, specifically for the storage of edible foods.

Before use

Remove all securing tapes. Wash the inside of the appliance with lukewarm water added with a little bicarbonate of soda (5ml to 0.5 liter of water). Do not use soap or detergent as the smell may linger. After cleaning, dry the appliance thoroughly.

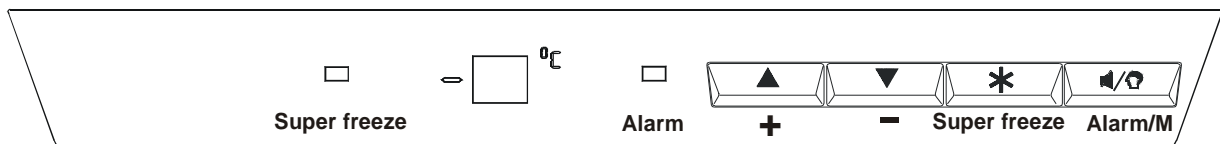
To start the appliance

Operating instructions

1. Allow the appliance to stand for 2 hours after installation.
2. Plug in the appliance and turn on the power.
3. Turn the thermostat control to the required setting. A midway setting is usually suitable for normal operation.
4. Leave the appliance switched on for approximately 4 hours to reach the correct temperature before placing food inside.

Thermostat Control

The thermostat control panel controls the temperature inside the refrigerator compartment or freezer compartment, and is located on the top cover plate.



■ THERMOSTAT OF THE FREEZER COMPARTMENT

If you press the ▲ or ▼ button, you can select the temperature ranging from -24°C to -15°C . If you press and hold the ▲ or ▼ button for longer than 1 second, the temperature will increase or decrease 1°C per 0.5 second. When you adjust temperature, the temperature display will flash. If you don't touch any button for about 5 seconds, the selected temperature will be set up and flash stops. The temperature display shows the current temperature inside the freezer.

■ SUPER FREEZE

By simply pressing the super freeze button, the freezer will operate in the super freeze mode. The indicator light of super freeze will be on. In super freeze mode, the temperature inside freezer will drop rapidly until the temperature reaches your setting. Then the freezer will automatically quit the super freeze mode. The indicator light of super freeze will be off. Before

that you can also manually quit the super freeze mode by pressing the super freeze button again.

■ **ALARM**

■ **ALARM FOR DOOR**

If the door is left open for 2 minutes, the alarm will sound. If the door is still open, the alarm will sound 3 times per 30 seconds and last for 10 minutes. Then the alarm will automatically stop.

■ **ALARM FOR FREEZER**

The abnormal high temperature inside freezer might be resulted from:

If the temperature inside the freezer rises to above -10°C , the indicator light of alarm will flash continually until you press the Alarm/M button. And the temperature display will show the highest temperature inside the freezer once the light stop flashing. After 5 seconds, the temperature display will show the current temperature inside the freezer. When it reaches to below -10°C and the memory of the highest temperature inside the freezer is deleted the indicator light of alarm will be off.

NOTE:

- If the memory of the highest temperature inside the freezer is not deleted ,you can read it by pressing the Alarm/M button.
- Under the High Temperature Alarm circumstance, if the Alarm/M button has not been pressed, the indicator light of alarm will flash continually even if the data the temperature display shows is below -10°C .

Door Reverse Instructions

The freezer is supplied with the door hinges on the left side. If you wish to change the opening direction, follow the instructions below:

Warning!

Before changing door position, please remove power plug from terminal.

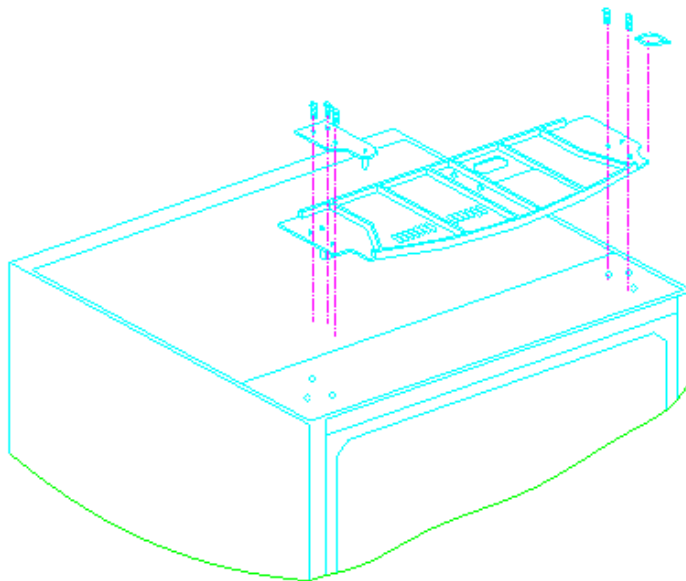
Tip:

Food in the fridge should always be covered or packaged, to prevent drying and tainting.

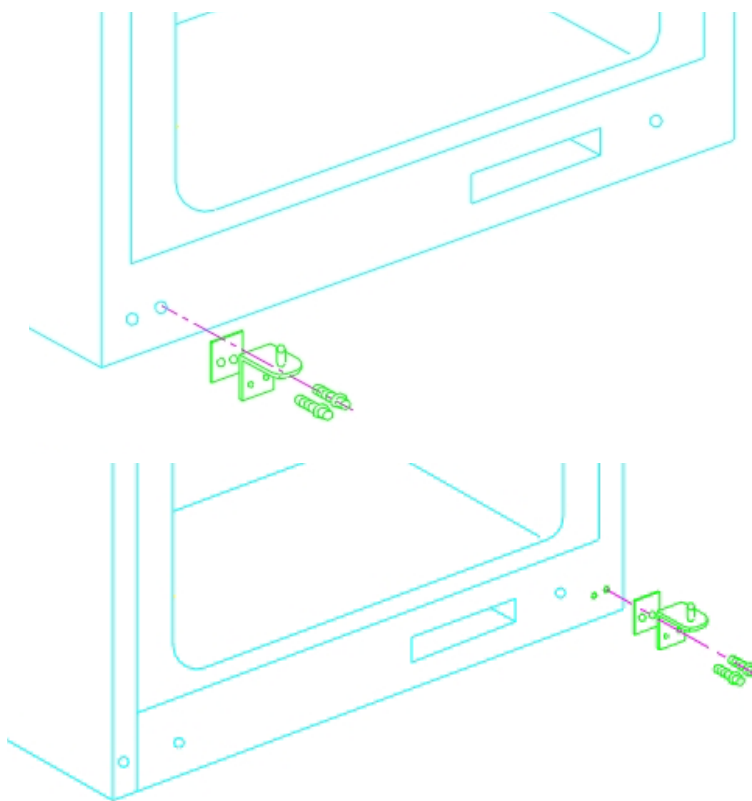
The following are suited for packaging:

- Polyethylene airtight bags and wraps
- Plastic containers with lids
- Special plastic covers with elastic
- Aluminium foil

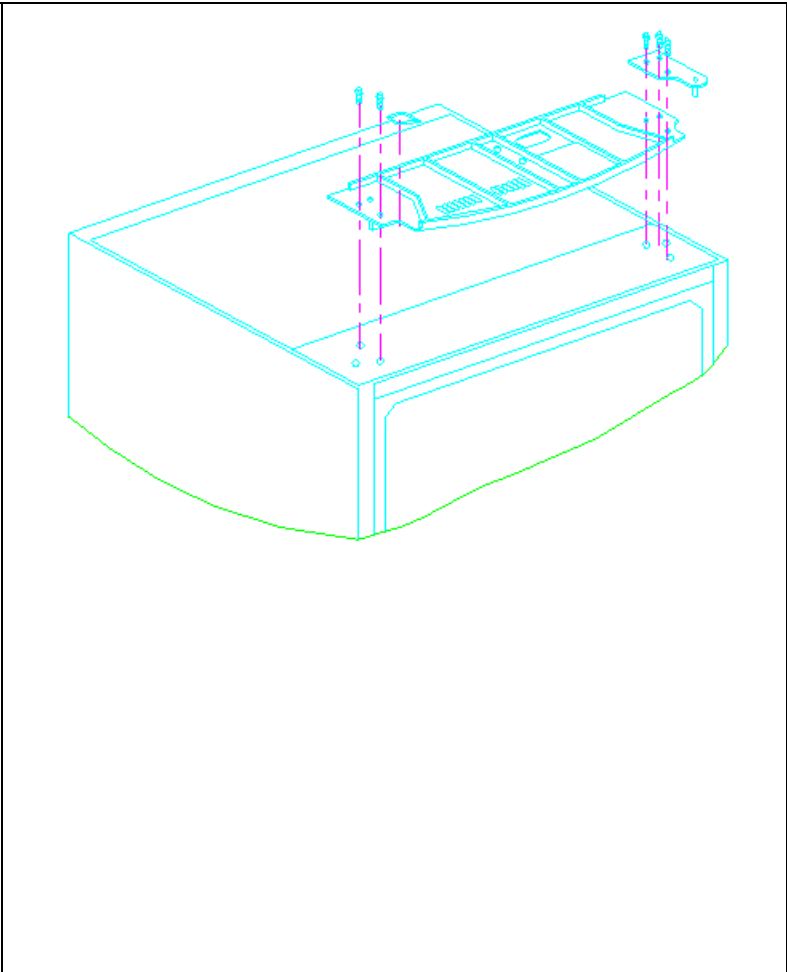
1. Remove the top cover panel by removing 3 screws at the back of the top panel, and 2 screws from the top of the cover panel.
2. Remove the 3 screws on the right hand side, situated on top of the fridge, that hold the control panel in place. Then do the same for the 3 screws on the left hand side.
3. Loosen the 3 screws that hold the top hinge plate in place. Pull out the pin, and lift the lower door off the lower hinge.



4. Remove the screws from the lower hinge and refit them on the opposite side. (The unit may need to be tilted to the side for this) Take note to position the screws and the pin on the outer holes of the hinge. Remove the metal piece on the bottom of the door to the opposite side.

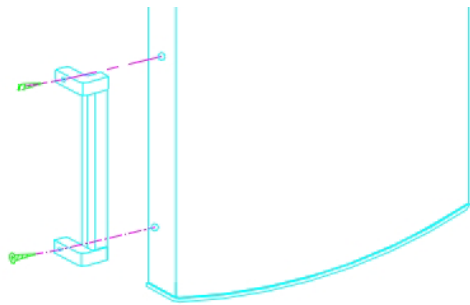


5. Position the hinge plate on the top of the unit, on the opposite side, not tightening the screws completely.
6. Fit the door to the lower hinge and place the pin in the upper hole of the door.
7. Lift the fascia panel and position the pin into the hole of the fascia panel and the hinge plate.
8. Tighten the pin nut above the hinge plate.
9. Tighten the remaining screws of the hinge plate. Make sure the door is aligned properly, then tighten the hinge plate on the opposite side.
10. Replace the top cover panel, and tighten 3 screws on the back and two screws on the top.



Door handle reversal (optional)

- Remove the handle screws that hold the door handle on the door from the right holes, and transfer them to the covered holes on the left side as illustrated, then tighten the screws. Then remove the screws that hold the handle cover on the door panel from the right side to the left side, tighten the screws.



Hints and Tips

Food storage

Avoid buying frozen food if you cannot store it.

Storage in original food containers is advisable. Place already frozen foods into the freezer as soon as possible, and be sure to:

- Not store too many items in the drawers.
- Allow air to circulate around each item.
- Not to store uncovered food.

Ensure the foods placed in the freezer are dated and labeled, and used in date order.

Energy saving advice

Do not place the appliance close to heat sources such as cookers, dishwashers or radiators. Make sure the appliance is placed in a cool well-ventilated room so that the air can circulate very well.

Avoid unnecessary frosting in the cabinet by packing all foodstuffs into sealed packages. Avoid keeping the door open for a long time, as warm air will enter the cabinet and the cold air inside will leak out of the cabinet.

Ensure that there is no obstruction preventing the door from closing properly.

In the event of a power failure

If there is a power failure while the appliance is in operation, do not open the door. If the temperature inside your freezer should rise, causing food to defrost, do not refreeze the food.

The following guidelines will assist you:

- Ice cream: Once thawed should be discarded.
- Fruit and vegetables: If soft should be cooked as soon as possible.
- Bread and cakes: Can be refrozen without danger.
- Shellfish: Should be refrigerated and used up quickly.
- Cooked dishes: i.e. casseroles should be refrigerated and used up.
- Large pieces of meat: Can be refrozen if there are ice crystals remaining within them.
- Small joints: Should be cooked and then refrozen as cooked dishes.
- Chicken: Should be cooked and refrozen as a fresh dish.

Trouble Shooting

Noises during Operation

The following noises are normal characteristics of the appliance when it works:

- Whenever the compressor switches on or off, a click can be heard.
- As soon as the compressor is in operation, you can hear it humming.
- When refrigerant flows into thin tubes, you can hear bubbling or splashing noises.
- Even after the compressor has been switched off, residue noise can be heard for a short time.

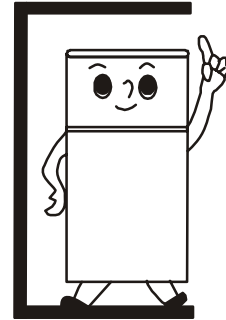
Repairs to the freezer may only be conducted by qualified service engineers. Improper repairs can lead to significant hazards for users. If your appliance needs repairing, please contact your specialist dealer.

PROBLEM	SOLUTION
The freezer does not operate	Check that it is properly plugged in, that the fuse has not blown or that the circuit-breaker has not tripped.
The freezer is too warm	Check the thermostat and make sure that the door stays open as little as possible. Also check that the door closes properly.
The motor runs continuously	Make sure that the freezer is well ventilated, leaving gaps as mentioned in the "Installation" chapter. Also check that your appliance is not exposed to a direct source of heat. You may also have placed too much food inside or the door may not close properly.

Correct Positioning

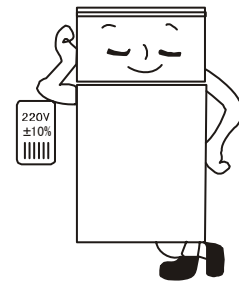
Good ventilation

Sufficient ventilation is required to ensure your refrigerator operates at optimum high efficiency and with lowest possible power consumption, therefore you are required to place your appliance in a position with adequate clearance. We recommend you place your refrigerator at 100mm away from the wall to the back of your appliance, 200mm from the side clearance and 300mm from the top of your appliance. A clearance space of 160 degrees is required for the appliance door.



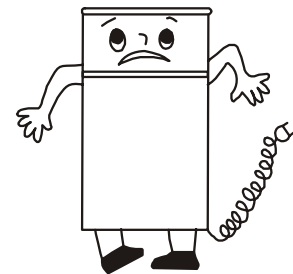
Power supply

This appliance operates via a single phase power supply and must be plugged into its own dedicated 220-240 Volts, 50Hz, AC electric outlet. Ensure that the electric outlet is properly earthed to ground, if unsure please consult a qualified electrician.



Power Cord

Keep the cord away from the compressor. The surface heat from this area may cause the cord to melt and provoke electricity leakage. Do not use an extension cord or adaptor plug. To remove the power cord always grip the plug firmly and pull straight out of the receptacle to prevent damaging the cord. Keep the plug and cord accessible.



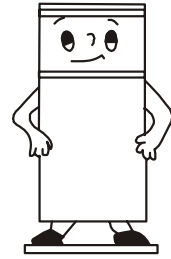
Protection from Moisture

Avoid placing the refrigerator in a place where heavy moisture or high humidity is present, keep the appliance in a dry place away from frosty or unprotected areas like for example a verandah or garage. Do not spray directly or submerge the appliance in water.



Placing

The refrigerator should be placed on a solid flat floor. Minor level adjustments can be made by turning the leveling feet to suit. The front of the appliance should be set slightly higher than to the rear so the door can tilt back. If appliance rocks on one corner to the opposite rear corner it means the floor is uneven, packing is required please use thin pieces of solid material such as thin board, vinyl floor tiles or laminate and pack under the ridge to the rear of the appliance.

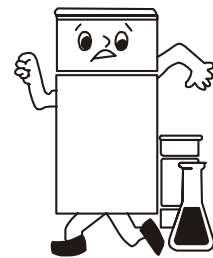


Protection from Heat

The fridge should be far away from any heat source or direct sunshine.

Important Safety Instructions

It is important that you do not store any volatile or combustible materials in any freezer or refrigerator such as gas, petrol, alcohol, lacquer or any pressurized aerosol containers that indicates a flammable substance or flammable symbol. If you do so, you may cause an explosion.



Relocating

When placed or moved, the refrigerator can not be set horizontally or declined to more than 45° or never upside down.

