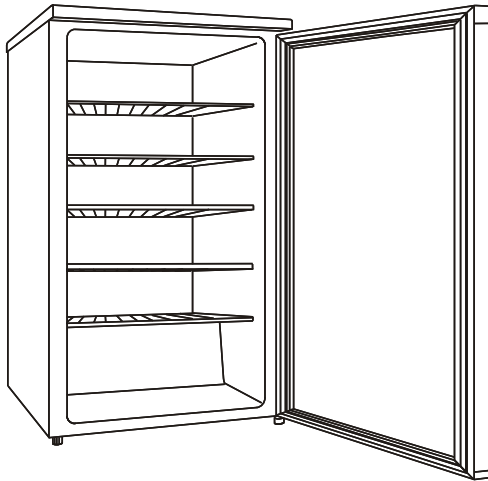


Hisense

Wine Cooler HWC34A

OPERATING INSTRUCTIONS

Please read this Operating Instructions carefully before using your wine cooler.

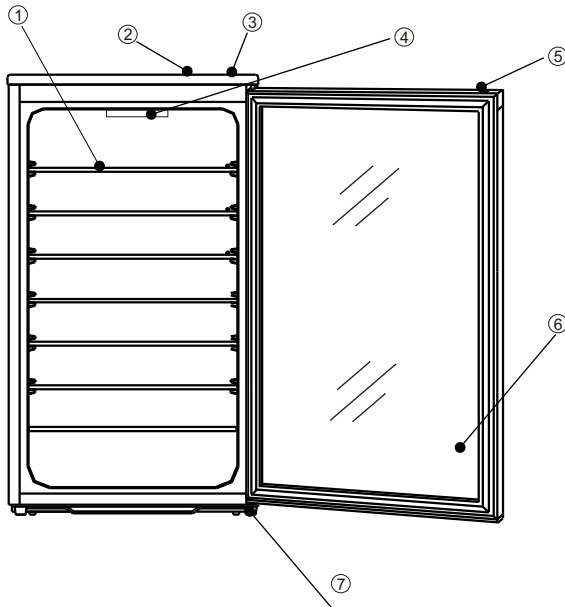


PRODUCT DESCRIPTION.....	1
INSTALLATION.....	2
OPERATION.....	2
REVERSING THE DOOR SWING.....	2,3
CHANGING THE LAMP BULB.....	4
CARE&MAINTENANCE.....	4,5
TROUBLESHOOTING.....	6

IMPORTANT: before you install your refrigerator PLEASE CHECK FOR ANY DAMAGE OR MARKS. If you find that the refrigerator is damaged or marked you must report this within 7 days if you wish to claim for the damaged marks under the manufactures warranty.

This does not affect your statutory rights.

PRODUCT DESCRIPTION



- 1.Wine rack
- 2.Temperature control knob
- 3.Top cover
- 4.Lamp
- 5.Reversible door frame
- 6.Glass door
- 7.Adjustable leveling legs

NOTE: This figure is only a sketch of the refrigerator, the actual product may differ from it.

INSTALLATION

1. Before using the wine cooler, remove all exterior and interior packaging materials.
2. Be sure that the wine cooler stays in the upright position during transportation.
3. Position the wine cooler firmly on flat surface and level it by adjusting the adjustable leveling legs (6).
4. Maintain a minimum 50mm space between the back of the wine cooler and the wall for proper air circulation.
5. Avoid putting the wine cooler in a moist area.
6. Never wet or spray the wine cooler with water.
7. Keep the wine cooler from direct sunlight.
8. Keep the wine cooler from any hazardous or combustible agents.

The appliance must be positioned so that the plug is accessible.

WARNING:

If the power cord is damaged ,it must be replaced by the manufacturer or its service agent or a similarly qualified person.

OPERATION

1. The wine cooler can be operated by adjusting the temperature control knob to the various settings : “OFF”, “NORMAL”, “MIN” or “MAX”.
2. Note that by turning the temperature control knob to “OFF”, it only stops the cooling cycle but does NOT turn off the wine cooler.
3. If the wine cooler is unplugged from the power supply, you must wait 3 to 5 minutes before re-starting the wine cooler.

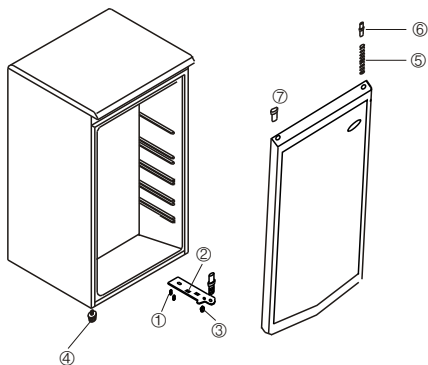
REVERSING THE DOOR SWING

The wine cooler glass door can be opened from left to right and vice versa. Should you desire to change the opening direction, please follow these instructions.

NOTE:

All parts removed must be saved to do the reinstallation of the door.

- Make sure to remove the spring(5) located inside the upper right hole of the door and the upper right side pin(6).
- Remove the plug button(7)from the upper left hole of the door and transfer it to the uncovered hole at the right side. Be sure to press the button firmly into the hole.
- Insert the upper pin(6) previously removed from the right side and transfer it to the other hole at the left side of the top frame.
- Insert the spring(5)previously removed inside the upper left side hole of the door.
- Set the door in its place making sure the pin(6)enters the bushing at the lower upper frame section(hole).
- While holding the door in the closed position, secure the lower left hinge(2) previously removed.
- Insert the two screws(1)previously removed and tighten them.



- ① -Door Hinge Screws
- ② -Lower Door Hinge
- ③ -Front Leveling Legs
- ④ -Left Front Leg
- ⑤ -Door Frame Spring
- ⑥ -Door Frame Pin
- ⑦ -Hinge Plug(Door Frame)Left Side

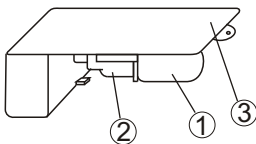
WARNING : Keep ventilation openings, in the appliance enclosure or in the built-in structure, clear of obstruction
 Do not use mechanical devices or other means to accelerate the defrosting process
 Do not use electrical appliances inside the food storage compartments of the appliance.

CHANGING THE LIGHT BULB

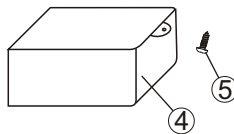
NOTE:

All parts removed must be saved to do the replacement of the light bulb. Before removing the light bulb, either unplug the refrigerator or disconnect the electricity leading into the refrigerator at the main power supply. Failure to do so could result in electrical shock or personal injury.

- Remove the screw ⑤.
- Remove the light bulb cover ④ by pulling the bottom end of the light bulb cover gently.
- Unscrew the bulb ①.
- Replace with a 10 watt-refrigerator bulb that is the same shape and size.
- Replace the light bulb cover ④ and tighten screw ⑤.



- ① Bulb
- ② Bulb Holder
- ③ Bulb Holder Case



- ④ Bulb Cover
- ⑤ Screw

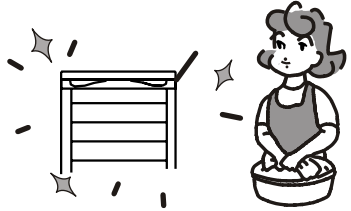
CARE & MAINTENANCE

Notes

- Be sure to disconnect the wine cooler from the power supply before cleaning.
- Do not spray water on the wine cooler.
- Do not use these items to clean the wine cooler: hot water diluent, petrol, alcohol, kerosene, washing powder, cleanser, alkaline detergent, acid, Chemical cloth, etc.
- If the supply cord of this appliance is damaged, it must only be replaced by professional person or the repair shop appointed by the manufacturer,
- Before you throw away your old refrigerator :take off the door, leave the shelves in place, so that children may not easily climb inside.
- Never allow children to operate, play with, or crawl inside the appliance.
- Extension cord is not recommended to use.

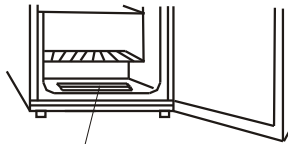
Cleaning Your WINE COOLER

- Before cleaning, turn the temperature control to "OFF", unplug the wine cooler and remove the bottles.
- Clean your wine cooler once every two months.
- Clean the inner and outer surface with a damp cloth.
- If the wine cooler is very dirty, clean it with a neutral detergent first, then use clean cloth to wipe off the detergent.



Care of Plastic Parts.

- Be careful to protect the door seal, it should be kept clean at all time.
- If the plastic parts in wine cooler remain contaminated by oil (animal or vegetable) for a long time, they will age and crack easily, please clean them regularly.



This part is used to hold liquid and juice for fear they damage door gasket. please wipe the liquid and juice out if there are any.

TROUBLESHOOTING

You can solve many common problems easily, saving you the cost of a possible service call. Try the suggestions below to see if you can solve the problem before calling for help.

Wine cooler does not operate.	<ul style="list-style-type: none">• Not plugged in.• The circuit breaker tripped or fuse blown.• The wine cooler temperature control is set at "OFF".
Wine cooler is too cold.	<ul style="list-style-type: none">• The temperature control dial may be set too high
Wine cooler is not cold enough.	<ul style="list-style-type: none">• Check to be sure the temperature control setting is at "NORMAL".• External environment may require a higher setting.• The door is opened too often.• The door is not closed completely.• The door gasket does not seal properly.• The wine cooler does not have the correct clearances at the back.
The defrosting water overflows inside the wine cooler and onto the floor.	<ul style="list-style-type: none">• Check if the drain pan is full.
Sound of flowing liquid.	<ul style="list-style-type: none">• It is the sound of refrigerant flowing, not a fault.
The cabinet side panel heat up.	<ul style="list-style-type: none">• It result from the dissipation of the heat from inside the cabinet.
Condensation forms on the outside of the wine cooler.	<ul style="list-style-type: none">• Condensation will form on the outside of the wine cooler if it operates in moist areas, simply wipe it dry.
The wine cooler seems to make too much noise.	<ul style="list-style-type: none">• It is not levelled or positioned properly.• It is touching the wall.